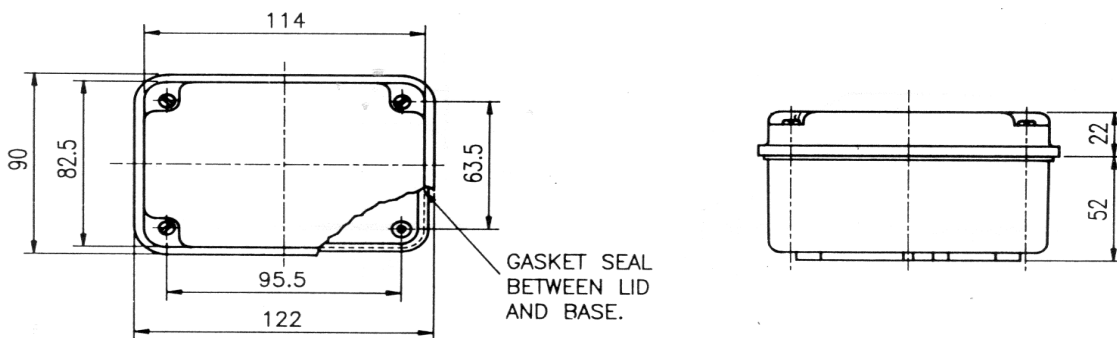


Quick Reference Dimensions				
CODE	LENGTH mm	WIDTH mm	DEPTH mm	FIXING HOLES mm
<b>546P</b>	122	89	70	4.5
<b>600P</b>	120	85	70	4.0
<b>701P</b>	160	105	100	4.0

*All supplied complete with gasket seal. Screws included with 546P*

## Poly-propylene Enclosure 546P



## Poly-carbonate Clear Covers

**600P (small)**

**701P (large)**

